

APECS® 0200R Rotary Actuator

Versatile rotary actuator is suitable for a variety of stationary and off-road engine applications. Direct connection eliminates the need for any external linkage.



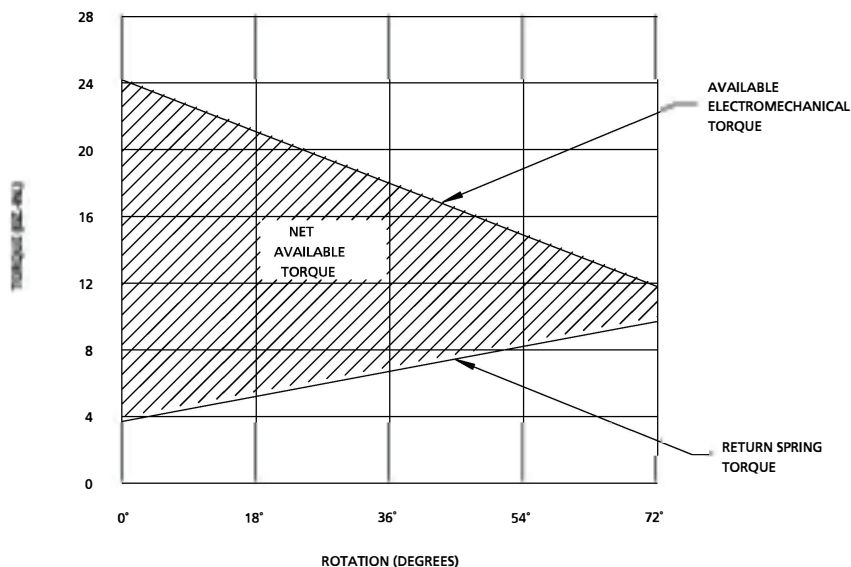
Features:

- Angular position proportional to input coil current
- Direct interface between actuator and shut-off lever
- Multiple terminal connections available
- Spring return to minimum position
- Precise engine speed control when used with APECS electronic controllers (See Controllers section, pages 74-83, for ordering information)
- Withstands harsh temperature and vibration conditions
- Corrosion resistant housing with sealed plastic cover

Order Information:

ORDER NO.	Voltage
SA-4928-12	12 VDC
SA-4928-24	24 VDC

Torque vs. Rotation*



*At 68°F (20°C) and rated voltage

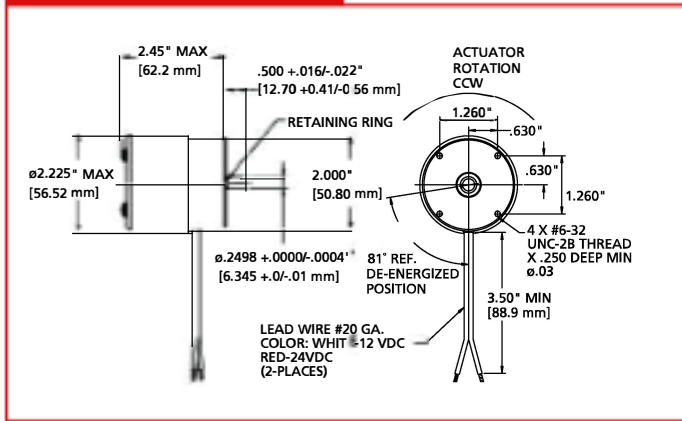


WARNING: An overspeed shutdown device, independent of the APECS system, should be provided to prevent loss of engine control that may cause personal injury or equipment damage.

E.E.C. Directive Compliance: All parts supplied by QCC LLC are classified as components, and therefore are not "CE" marked. Please contact factory direct for details on specific product compliance with 89/336/EEC and 89/392/EEC directives.

APECS® 0200R Rotary Actuator

DIMENSIONS



Electrical Specifications:

Rated Voltage	12 or 24 VDC
Rated Current	68°F (20°C)
Nominal Steady State	12 Volt 24 Volt
Nominal Intermittent at Stall	3.0 A 1.6 A
Response Time	0.05 sec nominal ON time for 63% stroke
	0.05 sec nominal OFF time for 63% stroke

Mechanical Specifications:

Temperature Range	-40°F to + 221°F (-40°C to + 105°C)
Rotation	72° (±2°)
Vibration	15 G's
Shock	200 G's
Sealing	Oil, water and dust resistant
Weight	1.2 lbs (0.54 kg)

Specifications are for reference only.

Email: weborder@qccorp.com