

Dukes 1617/1627/1637 1,2,&3 Spool Lift and Motor DVC - 10 GPM

1, 2, & 3 spool directional control valve. 38 l/min [10 US gal/min] maximum flow. 207 bar [3000 psi] maximum pressure. Power-beyond port machined and plugged. Closed transition spool timing prevents load drop before raise. Load check spools on every spool. Adjustable direct acting or pilot operated relief. Flow controls with meter in/out orifices. Electrical Position Indicator on some.

Model Code	Part Number	Spool Action			Spool Option			In/Out Ports	Work Ports	Relief Valve Setting	Power Beyond
		1 st Spool	2 nd Spool	3 rd Spool	1 st Spool	2 nd Spool	3 rd Spool				
1617-FA1KHA	156B2175	Detent Float	X	X	4 Position 4Way	X	X	SAE-8	SAE-6	None	No
1617-OD1BNB	156B2318	3 Pos. Detent	X	X	3 Position 4 Way	X	X	SAE-6	SAE-6	None	Yes
1617-TS14NB	156B2365	Spring Center	X	X	3 Position 4 Way	X	X	SAE-8	SAE-6	None	Yes
1617-TS316NS	156B2346	Spring Center	X	X	3 Position 4 Way	X	X	SAE-8	SAE-6	2550 PSI	No
1617-OD1DCB	156B2314	3 Pos. Detent	X	X	3 Position 4 Way	X	X	SAE-6	SAE-6	None	Yes
1617-TS14CB	156B2316	Spring Center	X	X	3 Position 4 Way	X	X	SAE-6	SAE-6	None	None
1617-TS14CS	156B2197	Spring Center	X	X	3 Position 4 Way	X	X	SAE-6	SAE-6	None	Yes
1617-TS306HS	156B2202	Spring Center	X	X	3 Position 4 Way	X	X	SAE-8	SAE-6	2300 PSI	Plugged
1627-FATS14NS	156B2364	Detent Float	Spring Center	X	4 Position 4Way	3 Position 4 Way	X	SAE-8	SAE-6	None	Plugged
1627-FAFA1KHA	156B2229	Detent Float	Detent Float	X	4 Position 4Way	4 Position 4Way	X	SAE-8	SAE-6	None	None
1627-T*T*2A1NB	156B2260	Spring Center	Spring Center	X	3 Position 4 Way	3 Position 4 Way	X	SAE-6	SAE-6	3175 PSI	NONE
1627-OSOD14NB8	156B2353	Spring Center	3 Pos. Detent	X	3 Position 4 Way	3 Position 4 Way	X	SAE-6	SAE-6	None	Yes
1627-TSW1BNB	156B2456	Spring Center	3 Pos. Detent	X	3 Position 4 Way	2 Position 4 Way	X	SAE-6	SAE-6	None	Yes
1627-FAFA1KNB	11006835	Detent Float	Detent Float	X	4 Position 4Way	4 Position 4Way	X	SAE-8	SAE-6	None	None
1627-TSTS14NB8	156B2366	Spring Center	Spring Center	X	3 Position 4 Way	3 Position 4 Way	X	SAE-8	SAE-6	None	Yes
1627-TSFA14FS	156B2368	Spring Center	Detent Float	X	3 Position 4 Way	4 Position 4Way	X	SAE-8	SAE-6	None	Plugged
1627-TSTS1CHS	156B2352	Spring Center	Spring Center	X	3 Position 4 Way	3 Position 4 Way	X	SAE-6	SAE-6	None	None
1637-OSTSOS1BNB	156B2277	Spring Center	Spring Center	Spring Center	3 Position 4 Way	3 Position 4 Way	3 Position 4 Way	SAE-6	SAE-6	None	Yes
1637-TSTSTS306HS	156B2291	Spring Center	Spring Center	Spring Center	3 Position 4 Way	3 Position 4 Way	3 Position 4 Way	SAE-8	SAE-6	2300 PSI	Plugged
1637-TSTFA14NS	156B2294	Spring Center	Spring Center	Detent Float	3 Position 4 Way	3 Position 4 Way	3 Position 4 Way	SAE-8	SAE-6	None	Plugged



Typical Applications:

Lawn and garden tractors, mowers, small tractor loader attachments, sweepers, utility trucks, trenchers, and agricultural equipment

Dukes 1612 Single Spool Tandem DCV - 15 GPM

Single spool directional control valve. 76 l/min [20 US gal/min] maximum flow. 207 bar [3000 psi] maximum pressure. Power-beyond port machined and plugged. Closed transition spool timing prevents load drop before raise. Load Check on all spools. Adjustable direct acting or pilot operated relief.

Model Code	Part Number	Spool Action	Spool Options	In/Out Ports	Work Ports	Relief Valve Setting	POWER BEYOND
1612-XS316NB	156B1015	Spring Center	3 Position 3 Way	SAE-10	SAE-10	2980 PSI@ 20GPM	No
1612-TS14NB	156B1104	Spring Center	3 Position 4 Way	SAE-10	SAE-8	NONE	No
1612-TS316NB	156B1097	Spring Center	3 Position 4 Way	SAE-10	SAE-8	3350 PSI @ 16GPM	Plugged



Typical Applications: Sweeper, mowers, agricultural equipment, tree removal equipment

Dukes 1622/1632 2 & 3 Spool Loader Valves - 15 GPM

2 & 3 spool directional control valve. 76 l/min [20 US gal/min] maximum flow. 207 bar [3000 psi] maximum pressure. Power-beyond port machined and plugged. Closed transition spool timing prevents load drop before raise. Load checks on every spool. Adjustable direct acting or pilot operated relief.

Model Code	PART NUMBER	SPOOL ACTION			SPOOL OPTIONS			IN/OUT PORTS	WORK PORTS	RELIEF VALVE SETTING	POWER BEYOND
		Detent Float	Spring Center	X	4 Position 4 Way	3 Position 4 Way	X				
1622-FATS3B1NB	156B1065	Detent Float	Spring Center	X	4 Position 4 Way	3 Position 4 Way	X	SAE-10	SAE-8	2350 PSI@ 15GPM	Plugged
1632-FATSTA3A1NB	156B1043	Detent Float	Spring Center	Detent In	4 Position 4 Way	3 Position 4 Way	4 Position 4 Way	SAE-10	SAE-8	2350 PSI@ 14 GPM	No
1632-FATSTK3C1NB	156B1037	Detent Float	Spring Center	3 Pos. Detent	4 Position 4 Way	3 Position 4 Way	3 Position 4 Way	SAE-10	SAE-8	2500 PSI@20 GPM	No



Typical Applications:

Tractors loaders, skid steer loaders, sweepers, mowers, forklifts, trenchers, tree removal, and agricultural equipment

Dukes 1618 Arial Lift Valve DVC - 10 GPM

Single spool directional control valve. **LOW LEAKAGE** .5cc/min. 38 l/min [10 US gal/min] maximum flow. 207 bar [3000 psi] maximum pressure. Power-beyond port machined and plugged. Closed transition spool timing prevents load drop before raise. Flow control with meter in/out orifices

Model Code	PART NUMBER	SPOOL ACTION	SPOOL OPTIONS	IN/OUT PORTS	WORK PORTS	RELIEF VALVE SETTING	POWER BEYOND
1618-TS1CN B	156B2219	SPRING CENTER	3 POSITION 4 WAY	SAE-8	SAE-6	NONE	NO

Typical Applications:
Mowers, sweeper, aerial lift, forklift, and trencher

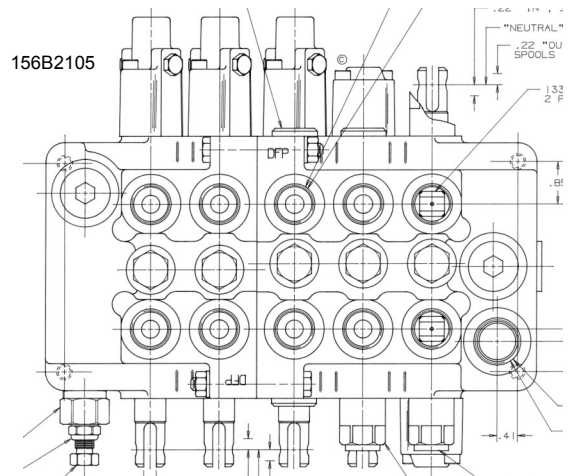
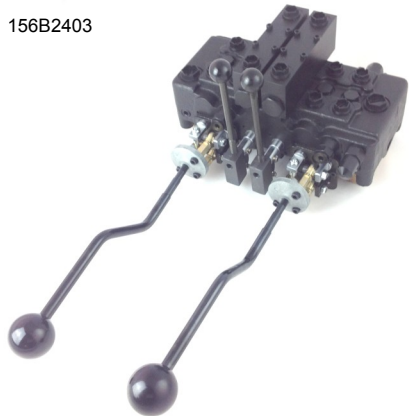


Dukes Model 1681 Backhoe Valve - 15 GPM

Stack valve from 2 to 8 section capability, 66 l/min [17 US gal/min] maximum flow. 207 bar [3000psi] maximum pressure. Load check on selected spools, Adjustable system pilot operated relief valve and work port reliefs, Spool actions include spring center, 1, 2, & 3 position detent, float detent, and spring offset, Convertible to power beyond, meter in and meter out flows, pilot checks.

In/Out Ports: SAE - 10, Work Ports SAE - 8 Relief Valve Setting: 2250psi

Part Number	Spool Action						Spool Option					
	1 st Spool	2 nd Spool	3 rd Spool	4 th Spool	5 th Spool	6 th Spool	1 st Spool	2 nd Spool	3 rd Spool	4 th Spool	5 th Spool	6 th Spool
156B2403	Spring Center	Spring Center	Spring Center	Spring Center	Spring Center	Spring Center	3 Position 4 Way	3 Position 4 Way	3 Position 4 Way	3 Position 4 Way	3 Position 4 Way	3 Position 4 Way
156B2105	3 Pos. Detent	3 Pos. Detent	3 Pos. Detent	Spring Center	Spring Center	X	3 Position 4 Way	3 Position 4 Way	3 Position 4 Way	3 Position 4 Way	3 Position 4 Way	X



Typical Applications:
Car transport haulers, backhoes, utility trucks, and mini excavators

Model 1125 Backhoe Stack Valve - 10 GPM

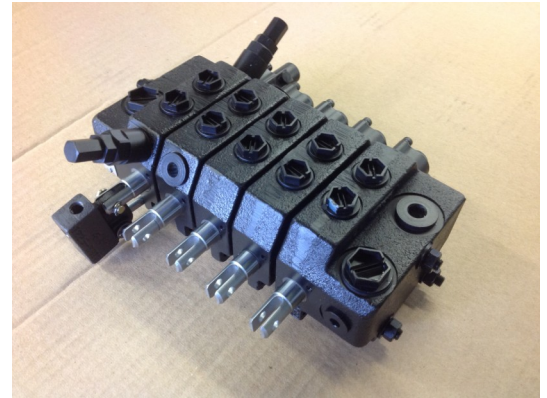
Stack valve from 2 to 8 section capability, 38 l/min [10US gal/min] maximum flow. 207 bar [3000psi] maximum pressure. Load check on selected spools, Adjustable system pilot operated relief valve and work port reliefs, Spool actions include spring center, 1, 2, & 3 position detent, float detent, and spring offset, Convertible to power beyond, meter in and meter out flows, pilot checks.

In/Out Ports: SAE - 10, Work Ports SAE - 6 Relief Valve Setting: 2050psi

Part Number	Spool Action					Spool Option				
	1 st Spool	2 nd Spool	3 rd Spool	4 th Spool	5 th Spool	1 st Spool	2 nd Spool	3 rd Spool	4 th Spool	5 th Spool
156B2167	3 Pos. Detent	Spring Offset	Spring Center	Spring Center	Spring Center	3 Position 4 Way	2 Position 4 Way	3 Position 4 Way	3 Position 4 Way	3 Position 4 Way

Typical Applications:

Car transport haulers, small backhoes, utility trucks, and mini excavators



Model 1325 Backhoe Stack Valve - 20 GPM

Stack valve from 2 to 8 section capability, 76 l/min [20 US gal/min] maximum flow. 207 bar [3000psi] maximum pressure. Load check on selected spools, Adjustable system pilot operated relief valve and work port reliefs, Spool actions include spring center, 1, 2, & 3 position detent, float detent, and spring offset, Convertible to power beyond, meter in and meter out flows, pilot checks.

In/Out Ports: SAE - 10, Work Ports SAE - 8 Relief Valve Setting: 3000 psi

Part Number	Spool Action					Spool Option				
	1 st Spool	2 nd Spool	3 rd Spool	4 th Spool	5 th Spool	1 st Spool	2 nd Spool	3 rd Spool	4 th Spool	5 th Spool
156B2060	Spring Center	Spring Center	Spring Center	Spring Center	Spring Center	3 Position 4 Way	3 Position 4 Way	3 Position 4 Way	3 Position 4 Way	3 Position 4 Way

Typical Applications:

Car transport haulers, backhoes, utility trucks, and mini excavators



Dukes Model 156B7002 Floating Detent 12 GPM

Double spool directional control valve. 47.3 l/min [12.5 US gal/min] maximum flow. 214 bar [3100 psi] maximum pressure. Power-beyond port machined and plugged. Load check on every spool, Adjustable system pilot operated relief valve. Spool actions include spring center on 1st spool, and detent float on 2nd spool.

Part Number	Spool Action		Spool Option		In/Out Ports	Work Ports	Relief Valve Setting	Power Beyond
	Spring Center	Detent Float	3 Position 4 Way	4 Position 4 Way				
156B7002	Spring Center	Detent Float	3 Position 4 Way	4 Position 4 Way	M22 X 1.5	M18 X 1.5	3100 PSI@12.5 GPM	Plugged

Typical Applications:
Tractor loaders, skid steer loaders, utility trucks, agriculture equipment,

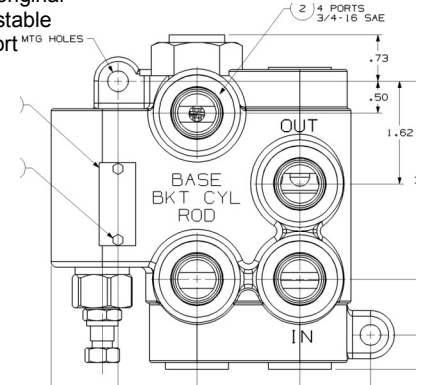


Dukes Model 1480 Self Level Skid Steer Bucket Valve

Self leveling valve 30 l/min [8 US gal/min] maximum flow. 172 bar [2500 psi] maximum pressure. Maintains original bucket angle while raising/lowering boom. The 1st spool is metering and 2nd is flow divider, Adjustable system pilot operated relief valve, Flow division of 4.4 GPM at base port and 3.7 GPM at inlet port

Part Number	Spool Action		In/Out Ports	Work Ports	Relief Valve Setting
	Spool Metering	Spool Flow Divider			
11007970	Spool Metering	Spool Flow Divider	SAE-8	SAE-8	550 PSI @ 6 GPM

Typical Applications:
Tractor loaders, skid steer loaders, lift applications



Proportional Bi-Directional Flow Control Valve - 10 GPM

38 l/min [10 US gal/min] maximum flow. 207 bar [3000 psi] maximum pressure. Low leakage in closed position, Low hysteresis, less than 5% of maximum flow, Pressure drop 270 PSI maximum, Mechanical override, Electrical connection: Integral Metri-Pack, Coil size: 2.0 Amp. Max.

Part Number	Spool Action	Spool Option		In/Out Ports
		2 Position 2 way		
11001355	Spring closed	2 Position 2 way		SAE-8

Typical Applications:
Chisel plow, Actuator flow control (meter in and meter out) and Motor flow control in both directions



In-Line Mechanical Flow Control w/ Solenoid to Open

30 l/min [8 US gal/min] maximum flow. 197 bar [2850 psi] maximum pressure. Mechanical Flow control. energize solenoid to open. Lead Pin connection.

Part Number	Spool Action	Spool Option	In/Out Ports
Z2203009	Flow Control	2 Position 2 Way	SAE-10

Typical Applications:
Sweepers, loaders, fork lifts, and agricultural equipment



Solenoid Operated Stack Valve - 2 GPM

2 Cartridge Stackable Directional control. 7.6 l/m [2 US gal/min]. 193 bar [2800psi] maximum pressure. Closed center 3 position, 3 way, Zero leakage in neutral position, Bi-directional flow capabilities, Flow control orifices can be added to limit output flow

Part Number	Spool Action	Spool Option	Work Ports	Relief Valve Setting
Z1103004	Poppet	3 Position 3 way	SAE-6	2750 PSI

Typical Applications:
Single acting actuator, unidirectional motors



Solenoid Operated Aerial Lift Stack Valve - 3 GPM

2 Cartridge stackable directional control spool valve with integral P.O. checks. Closed center 3 position, 4 way, Spool is hydraulically pilot operated and spring center to neutral, Zero leakage in neutral position, Flow control orifices can be added to limit output flow

Part Number	Spool Action	Spool Option	Work Ports	Relief Valve Setting
Z0804004	Pilot Spool Valve	3 position 4 way	SAE-8	None

Typical Applications:
Combine header lift systems, scissor lift platforms, and utility lift trucks



Dukes 1025 Single Spool Tandem DCV - 20 GPM

Single spool directional control valve. 76 l/min [20 US gal/min] maximum flow. 207 bar [3000 psi] maximum pressure. Power-beyond port machined and plugged. Adjustable direct acting or pilot operated relief.

Model Code	Part Number	Spool Action	Spool Options	In/Out Ports	Work Ports	Relief Valve Setting	Power Beyond
1025-C014NS	156B0071	Spring Offset	3 position 4 Way	SAE-8	SAE-8	None	No
1025-TD316HB8	156B0143	Detent In	2 Position 3 Way	SAE-10	SAE-8	3350 PSI @ 10GPM	Yes

Typical Applications:

Sweepers, loaders, 3-point hitch control, fork lifts, and agricultural equipment



Dukes 1500 Single Spool Tandem DCV - 5GPM

Single spool directional control valve. 26.4 l/min [7 US gal/min] maximum flow. 207 bar [3000 psi] maximum pressure w/relief. Power-beyond port machined and plugged. Adjustable direct acting or pilot operated relief.

Model Code	Part Number	Spool Action	Spool Options	In/Out Ports	Work Ports	Relief Valve Setting	Power Beyond
1500-TS205HS	156B0135	Spring Center	3 position 4 Way	SAE-6	SAE-6	1675 PSI@ 7GPM	Plugged
1500-TS14HS	156B0134	Spring Center	3 position 4 Way	SAE-6	SAE-6	None	Plugged

Typical Applications:

Garden Tractors, fire-fighting equipment, and agricultural equipment



Dukes 1530 Single Spool Tandem DCV - 5 GPM

Single spool, low cost directional control valve. 23 l/min [6 US gal/min] maximum flow. 138 bar [1000 psi] maximum pressure w/ relief. Supplied with clevis end spools.

Model Code	Part Number	Spool Action	Spool Options	In/Out Ports	Work Ports	Relief Valve Setting	Power Beyond
1530-TS14NS	156B0137	Spring Center	3 position 4 Way	SAE-6	SAE-6	None	NO

Typical Applications:

Lawn and garden Tractors,

